



The GS6 is a 6" passive subwoofer designed for indoor applications in permanent installations for retail shops, restaurants, hotels, pubs, disco bars and residential.


Symmetric load design allows direct coupling with GF4, GC8, GF22, GF82 and the most part of other satellites or full range speakers as a low frequency extension device.

Frequent Applications	
Retail	Cafes, Bistros & Restaurants
Hotels & Resorts	Fitness & Wellness

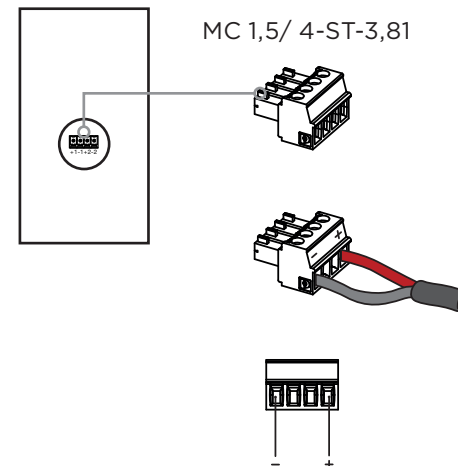
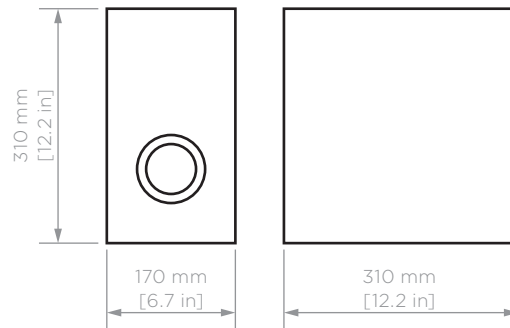
General	
Type	Passive subwoofer
Transducers	6" ferrite woofer
Frequency Response	50 Hz - 140 kHz (-10 dB)
Max SPL ¹	108 dB (peak)
Power Handling	120 W
Nominal Impedance	4 Ω
Coverage	OMNI

¹ Maximum SPL is calculated using a signal with crest factor 4 (12dB) measured at 1 m.

Suggested amplifiers	
GA201	up to 2 pcs/ch @ 4Ω

Handling & Finishes	
Dimensions (WxHxD)	170 x 310 x 310 mm (6,7 x 12,2 x 12,2 in)
Weight	3,2 kg (7 lb)
Material	Birch Plywood
Color	Black 

Mechanical drawing



Example

